

GHH RAND



CS1200 Light

The innovative design of the CS1200 Light compressor kit allows utmost flexibility of installation on most European tractor trailers including 3-axle tractors. The optimised driveline design configuration will result in an efficient and well-engineered in-chassis installation. The small integrated oil cooler further perfects the compact design of the CS1200 Light.

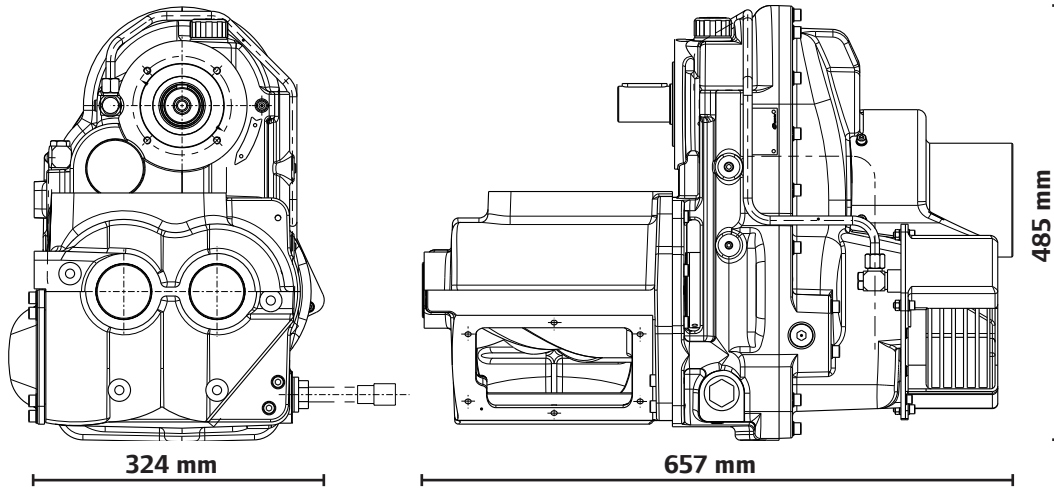


Highlights

- Innovative and newly developed, narrow SILU® oil free screw compressor with integrated oil cooler.
- Clever design enabling optimised drive line angles.
- Specially designed discharge silencer.
- Optimised rotor profile offering low frequency and low noise operation.
- Safety coupling for gearbox protection.

GHH RAND

CS1200 Light



Technical data

Parameter	Unit	Min.	Max.
Suction volume compressor airend	m ³ /h	694	1150
Input speed	min ⁻¹	1200	1800
Power consumption compressor airend	kW	-	72
Max. discharge pressure	bar(g)		2.5
Weight compressor airend	kg		135

(Medium: air, suction temperature: 20°C, suction pressure: 1 bar (abs.))

Your advantages

- High reliability and long life thanks to optimised drive shaft angle.
- Long life and easy starting after standstill due to corrosion-free rotors.
- Product safety: Food-grade coating of rotors in combination with Silol FG lubricant and absolute oil free compression of air thanks to patented sealing system.
- Integrated oil cooling allowing continuous operation.
- External oil cooler as an option, further reduces the space required for airend installation.
- Increased payload because of low weight.
- Additional chassis rail space available for tanks.
- FEM-calculated steel bracket for safety and longevity.
- Flexibility of installation due to:
 - comprehensive kit of ancillary components including vehicle specific mounting brackets for in chassis installation,
 - air intake optional on either side of the vehicle,
 - option for close coupled hydraulic drive.

GHH RAND Schraubenkompressoren GmbH
Customer Center Tanker Solutions
Max-Planck-Ring 27 • 46049 Oberhausen • Germany
Phone +49 (0) 208 9994-0 • Fax +49 (0) 208 9994-179
info_ghh-rand@irco.com • www.ghhrand.com

 **Ingersoll Rand**
Industrial Technologies